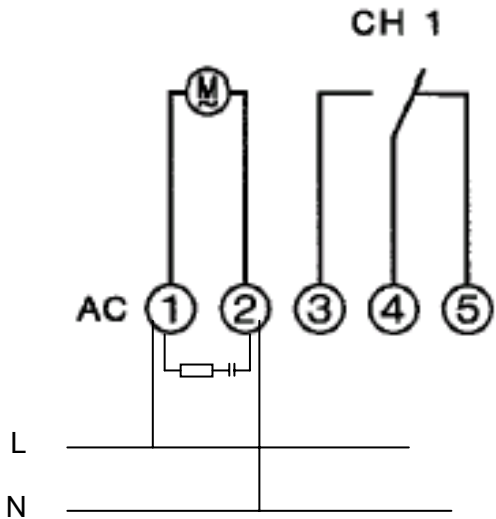
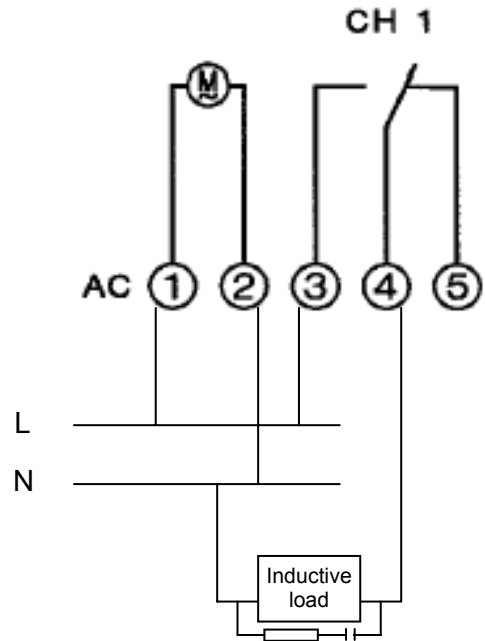


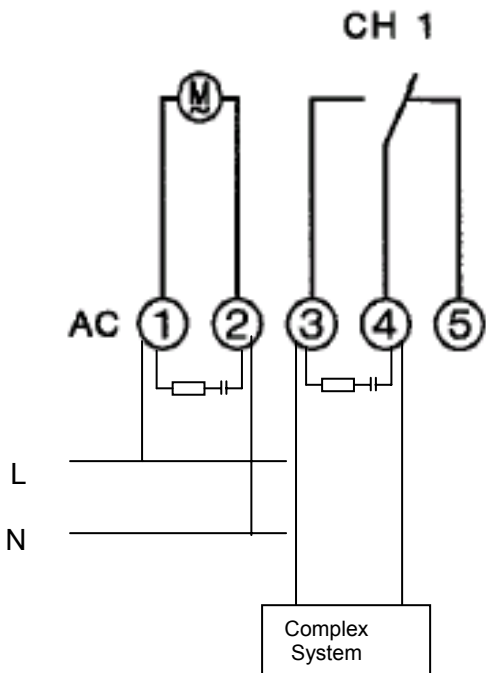
Interference can be present from time-to-time dependent upon the installation. With digital time switch devices, interference can cause apparent product malfunction or even permanent damage. When there are known installation problems, and when in doubt, fit surge suppression as shown below.



Suppression level #1:
probable 'dirty' mains



Suppression level #2:
known spike-inducing load



Suppression level #3:
Unknown sources of interference

= surge suppressor.
 E.G. Roxburgh R-C network
 100nF + 120Ω resistor RS
 Components part no.:
 672-7035